

MF  
HF

MF/HF MARINE TRANSCEIVER

GM800



IPX7

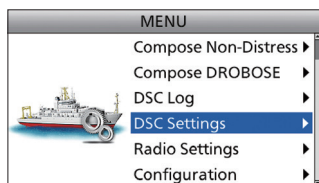
(Only for controller)



## User-Friendly Package

### 4.3 inch Wide Viewing Angle Colour Display

The 4.3 inch colour TFT LCD provides almost 180 degree wide viewing angle and displays high resolution characters and function icons. Even when the radio is installed to the instrument panel, the operator can clearly recognize the display information from various viewing angles. The night mode display ensures good readability in low light conditions.



Menu screen



Night mode screen (GM600)

### Provides Loud, Clear Audio

By adopting a new waterproof paper speaker cone, the speaker provides superior sound quality and a flat frequency response with a wide frequency range. In addition, the radio delivers a powerful 10 W (GM600)\* audio when connected to an external speaker.

\*GM800 delivers 4 W audio.

### Unified Design User Interface

The GM600 (VHF) and GM800 (MF/HF) have a unified design and offer consistent operation. A combination of the directional keypad and soft keys provides simple operation. Most used functions are assigned to soft keys (at the bottom of the display) for quick one push function access. The large ten-key pad enables you to smoothly enter channel numbers, MMSI numbers with ID names and so on.

### Other Features

- Remote Distress alarm
- Printer connector (Centronics IEEE1284)
- IEC 61162-1 interface for GNSS receiver
- Output power: 150 W\* PEP into 50 Ω (at radio terminal, GM800)
- Built-in 24 V DC-DC converter (GM800)

\*125 W (4.0–27.5 MHz)  
(at tuner-output)  
85 W (1.6–3.999 MHz)  
(at tuner-output)



#### MOUNTING BRACKET

MB-108

(Photo shows installation example.)



#### HANDSET

HS-98 (#17)

Comes in handy for listening privacy on board.



#### HAND MICROPHONE

HM-214H

IPX7 waterproof.



#### EXTERNAL SPEAKER

SP-24E (#18)

Input impedance: 4 Ω.  
Maximum input power: 7 W.



#### SHIELDED CONTROL CABLE

OPC-1465

10 m; 32.8 ft cable.  
Use with AT-141.



VHF

SURVIVAL CRAFT 2-WAY RADIO

IC-GM1600E

# GMDSS Portable for Survival Craft

## Simple to Use Survival Craft Radio

The IC-GM1600E Marine VHF handheld has been designed for GMDSS compliant survival craft communications. The radio is engineered to survive and function in the extreme environmental conditions common in marine emergencies. Using this simple to use radio, and operator can transmit a distress call without hesitation in an emergency. Simple operating instructions are attached to the back of the radio.

## Meets Strict Environmental Requirements

The IC-GM1600E meets temperature, thermal shock, vibration and drop resistance (from 1 m height) requirements. After passing those environmental tests, the IC-GM1600E retains 1 m depth waterproof construction as specified by IMO resolutions A.694 (17), MSC149 (77) and related specifications.

## Optional Battery with Superior Low Temperature Characteristics

The optional high capacity primary Lithium battery, BP-234, provides more than 8 hours operating time even at -20°C. The BP-234 can be stored for five years. (Duty cycle: Tx: Rx: Stand-by = 6: 6: 48)

## Large Keypad with Positive Button Action

Clearly labeled large buttons and positive button action allows for operation in all conditions, even when wearing heavy gloves. The transparent buttons are printed from behind (not on top), so the operating label on the keypad will never be erased under hard use over many years.

## Wide Viewing Angle, High Intensity LCD

A wide viewing angle, high intensity LCD offers bright and easy to read characters. The bright LCD indicator on top of the front panel shows the operating status clearly.



MED

**WATER PROOF**

\* Specified as IMO Res. MSC.149(77)



### OPTIONS for IC-GM1600E

**LITHIUM BATTERY PACK**  
<For survival craft>



**BP-234**  
9.0 V/3300 mAh primary battery pack for GMDSS survival craft radio.

**RECHARGEABLE Li-Ion BATTERY PACK**  
<For on-board use>



**BP-252**  
7.2 V/1000 mAh (min), 1050 mAh (typ.). Same as supplied with some versions.

**REGULAR CHARGER**  
<For on-board use>



**BC-173**  
Regularly charges the battery pack, BP-252 in 10 hours (approx.).



**BC-1475E**

**BELT CLIP**



**MB-103Y**

Please Note: BP-234 MUST BE USED with IC-GM1600E for GMDSS requirement.



# SPECIFICATIONS

## VHF MARINE TRANSCEIVERS

	IC-GM1600E	GM600
Frequency range (Unit: MHz)	Tx/Rx: 156.300–156.875	Tx: 156.025–161.600 Rx: 156.025–162.000 CH70: 156.525
Type of emission	16K0G3E (FM)	16K0G3E (FM), 16K0G2B (DSC)
Power supply requirement	7.2 V DC	24 V DC (21.6–31.2 V)* <sup>1</sup> 12 V DC (10.8–15.6 V)* <sup>2</sup> (negative ground)
Dimensions (projection not included; WxHxD)	65 × 145 × 44 mm	274 × 114 × 121.5 mm
Weight (approx.)	385 g (With BP-234)	1.6 kg
RF output power	2 W/1 W	25 W/1 W
Current* <sup>3</sup> drain	Transmit (Max. power)	1.0 A/0.7 A (2 W/1 W)
	Receive (Max. audio)	200 mA typical
Sensitivity	Main (20 dB SINAD)	–2 dBμ emf typical
	DSC (1% BER)	–
Intermodulation	Main	68 dB
	DSC (1% BER)	–
Audio output power	External SP	–
	Internal SP	200 mW (8 Ω load)
IEC 61162-1 in/out format	Input	–
	Output	–

\*<sup>1</sup> With PS-310 (#01). \*<sup>2</sup> With PS-310 (#02). \*<sup>3</sup> Approximately.  
Measurements made in accordance with IEC61097-12 for IC-GM1600E. EN301 925 for GM600.

## MF/HF MARINE TRANSCEIVER

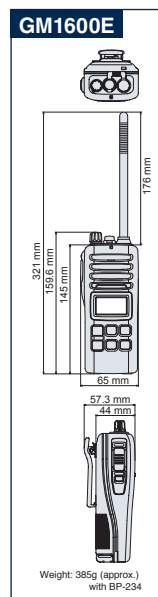
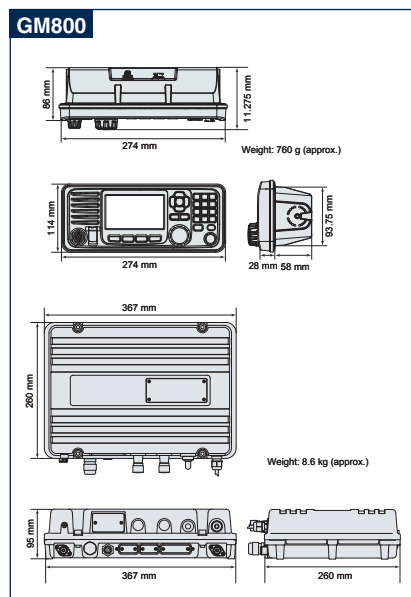
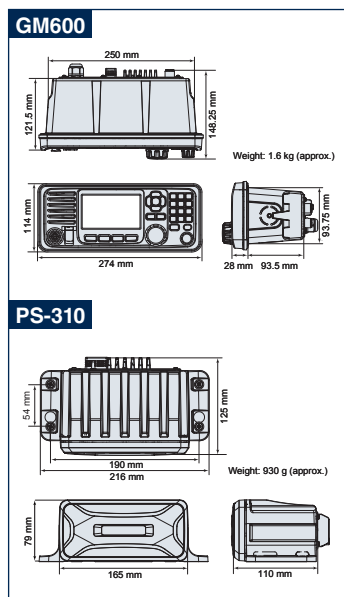
		GM800
Frequency range (Unit: MHz)		Tx: 1.6–27.5000 (ITU marine channels) Rx: 0.5–29.9999 (continuously) DSC: 2.1875, 4.2075, 6.3120, 8.4145, 12.5770, 16.8045
Type of emission	Tx/Rx DSC	J3E (USB/LSB**), H3E** (AM), J2B** (AFSK), F1B (FSK), A1A** (CW) F1B
Power supply requirement		24 V DC (21.6–31.2 V) (floating ground)
Dimensions (projection not included; WxHxD)	Main unit	367 × 95 × 260 mm
	Controller	274 × 114 × 86 mm
Weight (approximately)	Main unit	8.6 kg
	Controller	760 g
RF output power		150 W PEP into 50 Ω (at radio terminal) 125 W (4.0–27.5 MHz) (at tuner-output) 85 W (1.6–3.999 MHz) (at tuner-output)
Current drain	Transmit (Max. power) Receive (Max. audio)	Less than 20 A (at 1.1 kHz and 1.7 kHz two tones) Less than 3.0 A
Sensitivity	J3E, A1A (20 dB SINAD)	30 dBμV emf (0.5–1.599 MHz) 16 dBμV emf (1.6–3.999 MHz) 11 dBμV emf (4.0–29.999 MHz)
	J2B, F1B (1% error rate)	3 dBμV emf (1.6–2.099 MHz) 0 dBμV emf (2.1–27.500 MHz)
	H3E (20 dB SINAD)	44 dBμV emf (0.5–1.599 MHz) 30 dBμV emf (1.6–3.999 MHz)
	DSC (J2B) (1% error rate)	0 dBμV emf
Audio output power	External SP	4 W with 4 Ω load
	Internal SP	2 W with 8 Ω load
IEC 61162-1 in/out format	Input	GGA, GNS, GLL, RMC, FSI
	Output	FSI, DSC, DSE

\*<sup>1</sup> Receive only.  
Measurements made in accordance with EN300 373-1 for GM800.

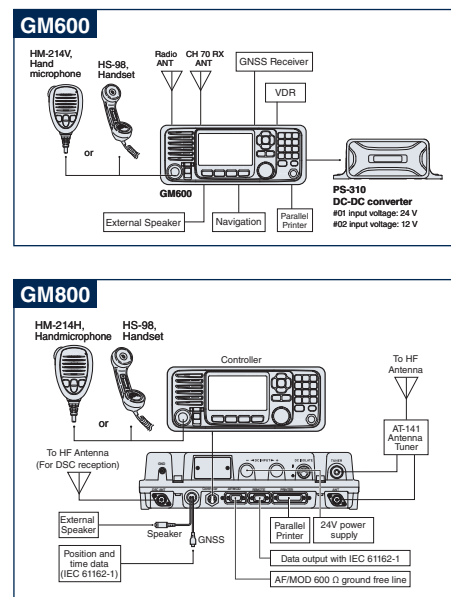
### Supplied accessories

<b>IC-GM1600E:</b> • BP-252* battery pack • BC-173* battery charger • BC-147* AC adapter • MB-103Y belt clip • FA-S61V antenna (fixed) • Neck strap * Depending on version.	<b>GM600:</b> • HM-214V hand microphone • DC power cable • Mounting bracket kit	<b>GM800:</b> • HS-98 handset • Mounting bracket kit
---	---	---

## DIMENSIONS



## INTERCONNECTION DIAGRAM



All standard specifications are subjected to change without notice or obligation.

Icom, Icom Inc. and the Icom logo are registered trademarks of Icom Incorporated (Japan) in Japan, the United States, the United Kingdom, Germany, France, Spain, Russia, Australia, New Zealand and/or other countries. All other trademarks are the properties of their respective holders.

Icom Inc. 1-1-32, Kamiminami, Hirano-Ku, Osaka 547-0003, Japan Phone: +81 (06) 6793 5302 Fax: +81 (06) 6793 0013

[www.icomjapan.com](http://www.icomjapan.com)

Count on us!

Icom America Inc.  
[www.icomamerica.com](http://www.icomamerica.com)

Icom (Europe) GmbH  
[www.icomeurope.com](http://www.icomeurope.com)

Icom (Australia) Pty. Ltd.  
[www.icom.net.au](http://www.icom.net.au)

Your local distributor/dealer:

Icom Canada  
[www.icomcanada.com](http://www.icomcanada.com)

Icom Spain S.L.  
[www.icomspain.com](http://www.icomspain.com)

Icom Brazil  
E-mail: [sales@icombrasil.com](mailto:sales@icombrasil.com)

Icom (UK) Ltd.  
[www.icomuk.co.uk](http://www.icomuk.co.uk)

Icom France s.a.s.  
[www.icom-france.com](http://www.icom-france.com)